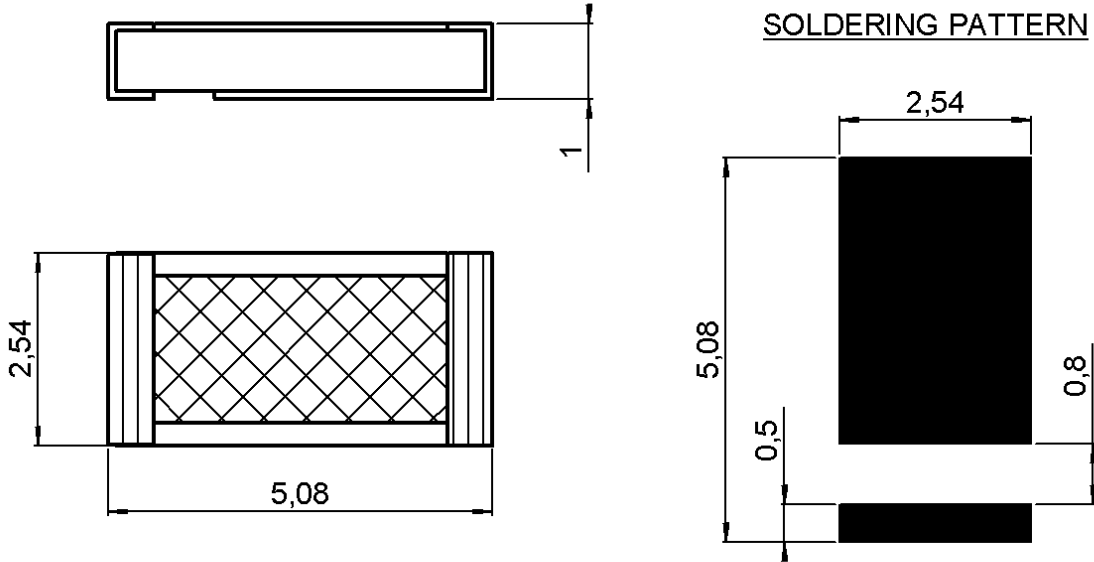


SMT TERMINATION (ALN)

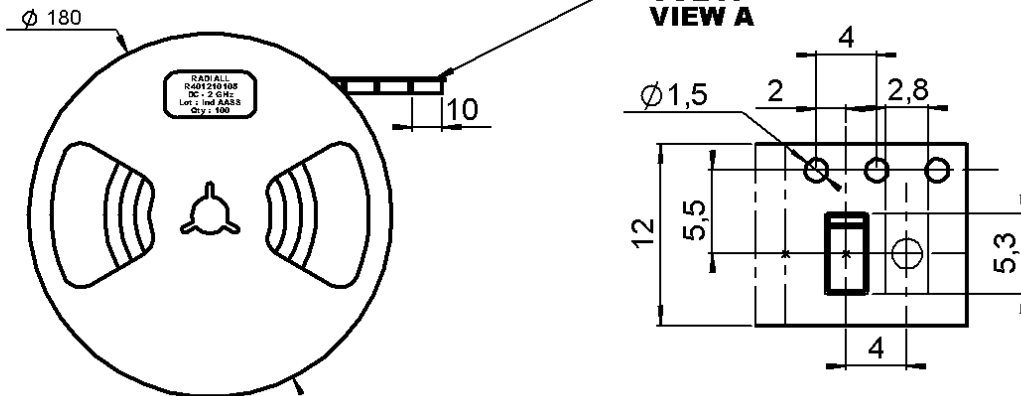
DC - 2 GHZ 10 W (TRUE SURFACE MOUNT)

R401.210.105

Series :
TERMINATION



* **CONDITIONNEMENT PAR 100**
PACKAGING BY 100 *



dimensions are in mm.



Weight 0,0000 g

Specification

Issue : 0524 A

In the effort to improve our products, we reserve the right to make changes judged to be necessary.



SMT TERMINATION (ALN)

R401.210.105

DC - 2 GHZ 10 W (TRUE SURFACE MOUNT)

Series :
TERMINATION

ELECTRICAL CHARACTERISTICS

Frequency range : DC – 2 GHz
 Impedance : 50 ohms ±5%
 Average Power : 10 W

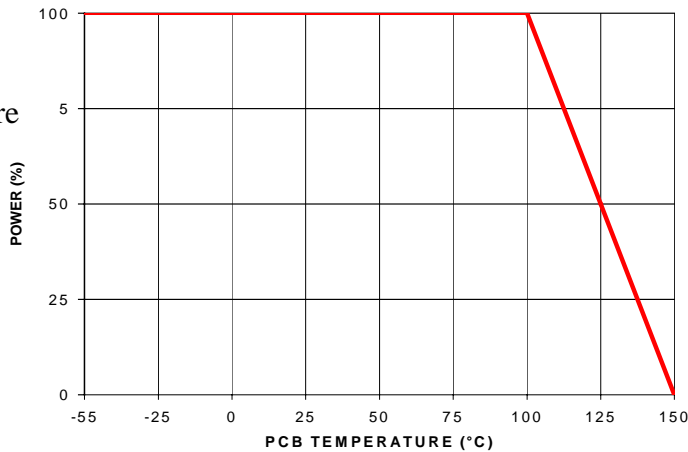
Frequency	DC – 2 GHz				
V.S.W.R	<= 1.25				

MECHANICAL CHARACTERISTICS

Substrate : ALN
 Resistive film type : Thick film
 Protective coating : Epoxy
 Solderable terminal & ground : AgPd

OTHER CHARACTERISTICS

Power derating
Versus temperature



ENVIRONMENTAL

Operating temperature range : -55°C + 150°C

Issue : 0524 A

In the effort to improve our products, we reserve the right to make changes judged to be necessary.

